

OPTRA

Acoustical Wall Panels



WALL SYSTEMS

Between us, ideas become reality®



SOUND INVESTMENT

Optra acoustical wall systems from Armstrong effectively control unwanted noise. The key feature of this engineered system is a glass wool acoustical inner core, for superior sound absorption, covered with a wide range of specialfire resistant fabrics.

Optra acoustical wall systems are a smart investment in productivity. People work harder and more efficiently when not disturbed by unwanted noise. In fact, in many environments speech privacy has become a mandate. Optra acoustical wall systems are an environmentally-friendly, easy-to-install system and very affordable.

APPEARANCE

Available in a standard width of 600 mm and in a variety of lengths - 600 mm, 1200 mm, 2400 mm, 2700 mm and 3000 mm, fabrics of various shades complement today's interiors.

EASY INSTALLATION

Optra acoustical wall systems are easy to install over existing walls or directly to studs with minimal workplace disruption. Standard installation method is with impalers.

ACOUSTICAL PERFORMANCE

Optra acoustical wall systems absorb 90% of sound striking the surface - reducing noise within a space and reducing noise transfer between spaces and places desiring the practicality of a tackable surface.

APPLICATION AREAS

Optra acoustical wall systems are ideal for use in commercial, institutional and educational buildings - anywhere noise reduction and sound privacy are a concern. They can be used in any room or hallway, even exit corridors. Unlike ordinary fabric covered wall panels, They can be used in buildings without sprinklers.



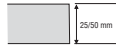
OPTRA WALL PANELS



OPTRA WALL PANELS

SQUARE EDGED

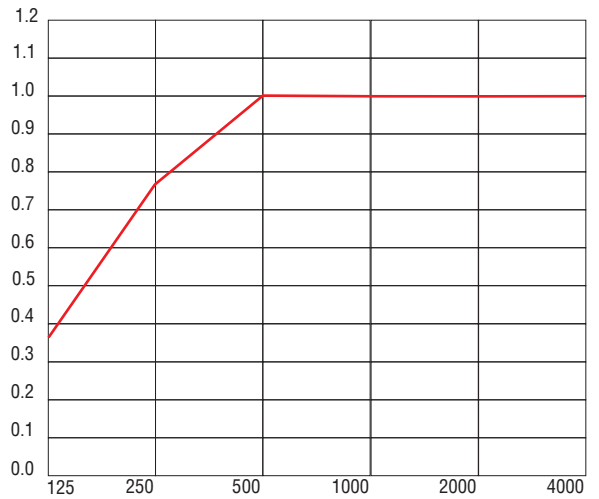
BEVELLED EDGED



600 X 600 X 25mm	✓	✓
600 X 600 X 50mm	✓	✓
600 X 1200 X 25mm	✓	✓
600 X 1200 X 50mm	✓	✓
600 X 1800 X 25mm	✓	✓
600 X 1800 X 50mm	✓	✓
600 X 2100 X 25mm	✓	✓
600 X 2100 X 50mm	✓	✓
600 X 2700 X 25mm	✓	✓
600 X 2700 X 50mm	✓	✓



α_w	NRC	125	250	500	1000	2000	4000
0.85	0.95	0.36	0.76	1.00	1.00	1.00	1.00



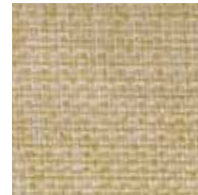
Ivory 380



Autumn Orange 383



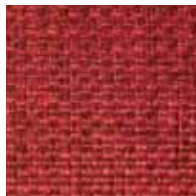
Pista Green 384



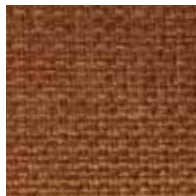
Straw Gold 385*



Rustic Green 386



Burgundy 387



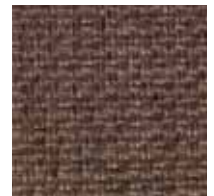
Rust 388*



Peacock Blue 389



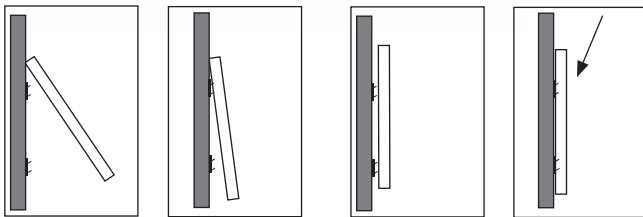
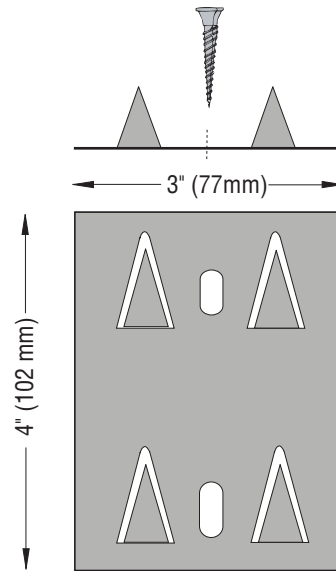
Ash Grey 390*



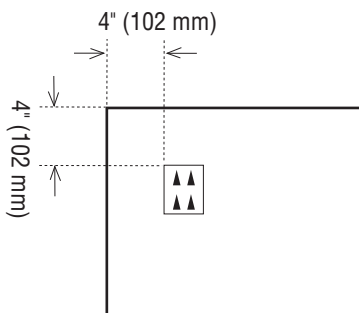
Mocha 391

* Ready stock in 600 X 600 X 25 and 600 X 2100 X 25 in square edge.
Any other edge/size/colour combination will be available on request

MOUNTING OPTIONS - SURFACE IMPALERS

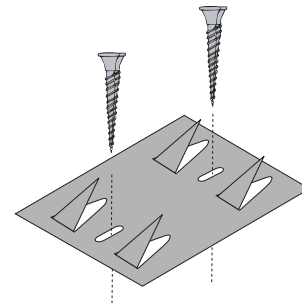


WALL MOUNTING: Place top edge on set line. Carefully swing bottom edge to meet impaler heads. With the panel resting on the impaler darts, apply inwards and downward pressure.



IMPALER LOCATION ON PANEL:

Flush mount impaler clips should be located approximately 4 inches (102mm) or more from the panel edges.



Recommended no. of impalers per panel	
SIZE	No. of impalers
600 X 600 X 25mm	3
600 X 600 X 50mm	3
600 X 1200 X 25mm	4
600 X 1200 X 50mm	4
600 X 1800 X 25mm	5
600 X 1800 X 50mm	5
600 X 2100 X 25mm	5
600 X 2100 X 50mm	5

MOUNTING OPTIONS - GLUE

Opra Wall Panels can also be affixed to the wall using superior quality construction adhesive, as follows:

1. Sand the wall surface to remove surface imperfections/loose particles to enable greater bonding of the adhesive.
2. Clean the wall to remove dust. Apply a coat of primer and allow to dry.
3. Mark the location of each panel on the wall.
4. Apply silicon chalk or a similar adhesive/sealant using a gun-dispenser on the back of the panel and on the wall.
5. Carefully align the wall panels against the marked locations on the wall and press the panel against the wall till it is fixed tightly. Remove excess adhesive.

APPLICATION AREAS

Theatres and Auditoriums:

A 45% wall panel cover offers excellent noise control in cinemas and auditoriums.



Conference Rooms and Home Theatres:

At least 15-25% coverage is recommended in home theatres and conference rooms. Optra panels with its superior texture can be used to create a sense of warmth along with excellent voice clarity.



Offices and Commercial Spaces:

A 10-15% cover using Optra wall panels is suitable for general purpose coverage and commercial spaces. Create patterns on the wall thereby, combining form with functionality.



The Armstrong Optra Wall Panel Advantage

1. Afford superior acoustics for your conference room, recording room, home theatres, cinema halls, auditoriums etc.
2. Range of colour options to suit your interiors.
3. Easy installation using surface impalers eliminates costly and time consuming framing for wall panels.
4. Fire resistant fabric for better fire performance.

The Armstrong Advantage

1. Innovative Products in ceilings and floorings for creating vibrant and cheerful interiors.
2. 13 offices and more than 100 professionals for designing specific solutions to meet customer's requirement.
3. Assured service through a network of dedicated dealers and installation contractors.
4. Consistent and superior quality through global manufacturing standards.
5. Strategically located warehouses ensure timely supply.

Armstrong World Industries (India) Pvt. Ltd.

B2, G-01, Marathon Innova, Off Ganpatrao Kadam Marg, Lower Parel, Mumbai - 400 013, India.
Tel: 022-3048 0800, Fax: 022-3046 0439 / 2491 3604 E-mail: helpdesk@armstrongindia.com

Branches:

Ahemdabad	: +91-93761 33127	Bengaluru	: +91-80-2657 6367	Bhopal	: +91-93296 82944
Chandigarh	: +91-172-2633680	Chennai	: +91-44-4217 5303	Cochin	: +91-93889 39252
Hyderabad	: +91-40-3200 9868	Jaipur	: +91-93525 69512	Kolkata	: +91-33-2401 4755
Lucknow	: +91-522-2201143	New Delhi	: +91-11-2589 3262	Pune	: +91-20-3250 2404

www.armstrong.co.in

