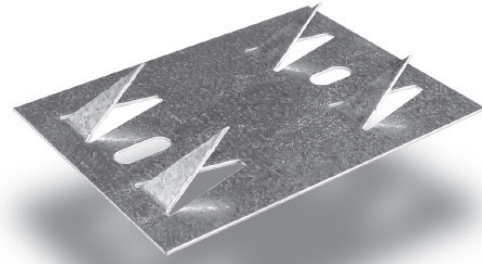


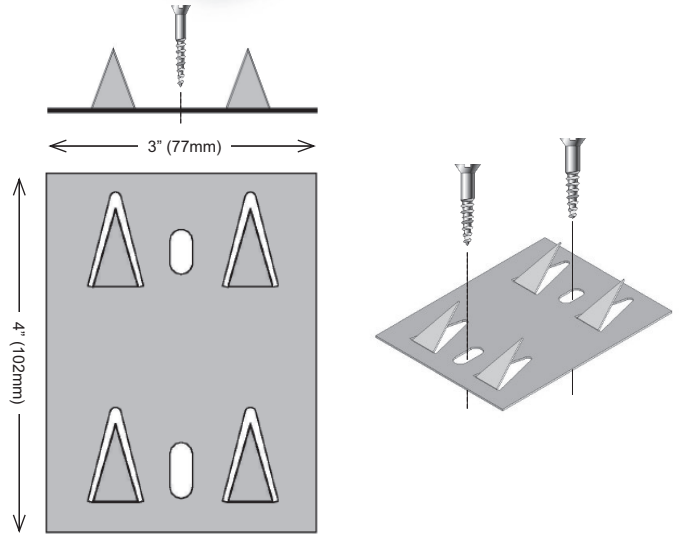
SURFACE IMPALER™

Primacoustic surface mount impalers are designed to provide the installer with a simple, quick and effective method of mounting Broadway™ fiberglass acoustic panels onto walls without causing serious surface defacement. The surface mount impaler features a series of sharp protruding darts that penetrate the panel to secure it in place during installation. To ensure panels do not get dislodged after installation, applying a dab of construction adhesive to the impaler darts during the mounting process adds a level of security and reduces opportunity for tampering. Impalers are installed using typical sheetrock anchors and screws.



SPECIFICATIONS:

Material	20 gauge galvanized steel
Dimensions	3" (76mm) x 4" (102mm)
Attachment Points	2 (Use an appropriate fastener for wall surface)
Max Load Limit	12 lbs. (5.4 kg.) Dependant on wall fastener
Number per box	16 per box
Order Number	F101-1000-00



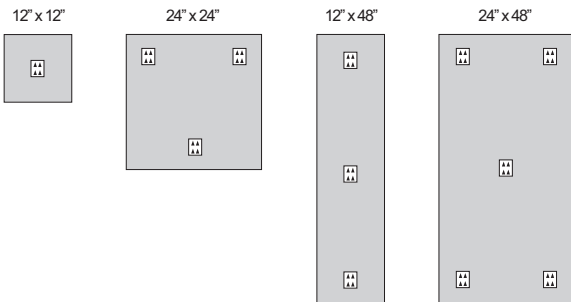
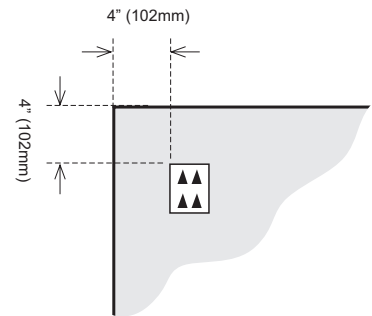
RECOMMENDED MINIMUM NUMBER OF IMPALERS PER PANEL:

Order No.	Description	HEIGHT	WIDTH	DEPTH	No. of Impalers Needed*
F101-1212-xx	Scatter Blocks	12" (305mm)	12" (305mm)	1" (25mm)	1
F102-1212-xx	Scatter Blocks	12" (305mm)	12" (305mm)	2" (51mm)	1
F101-2424-xx	Control Cubes	24" (610mm)	24" (610mm)	1" (25mm)	3
F102-2424-xx	Control Cubes	24" (610mm)	24" (610mm)	2" (51mm)	3
F122-2424-xx	Control Cubes	24" (610mm)	24" (610mm)	2" (51mm)	3
F101-1248-xx	Control Columns	12" (305mm)	48" (1219mm)	1" (25mm)	2
F102-1248-xx	Control Columns	12" (305mm)	48" (1219mm)	2" (51mm)	3
F122-1248-xx	Control Columns	12" (305mm)	48" (1219mm)	2" (51mm)	3
F103-1248-xx	Control Columns	12" (305mm)	48" (1219mm)	3" (76mm)	3
F101-2448-xx	Broadband Panels	24" (610mm)	48" (1219mm)	1" (25mm)	4
F102-2448-xx	Broadband Panels	24" (610mm)	48" (1219mm)	2" (51mm)	4
F122-2448-xx	Broadband Panels	24" (610mm)	48" (1219mm)	2" (51mm)	4
F103-2448-xx	Broadband Panels	24" (610mm)	48" (1219mm)	3" (76mm)	5
F123-2448-xx	Broadband Panels	24" (610mm)	48" (1219mm)	3" (76mm)	5

*Primacoustic recommends a certain number of impalers per panel as the minimum required for safe installation based on panel depth and weight. For additional security, you may wish to increase these numbers per panel and also combine with construction adhesive.

IMPALER LOCATION ON PANEL:

Flush mount impaler clips should be located approximately 4 inches (102mm) or more from the panel edges.



WALL MOUNTING:

Place top edge on set line. Carefully swing bottom edge to meet impaler heads. With the panel resting on the impaler darts, apply in towards wall and downward pressure.

